



K SERIES 13.8VDC

ALIMENTATORE STABILIZZATO
REGULATED POWER SUPPLY

CARATTERISTICHE TECNICHE

Tensione di ingresso
Tensione di uscita

SPECIFICATIONS

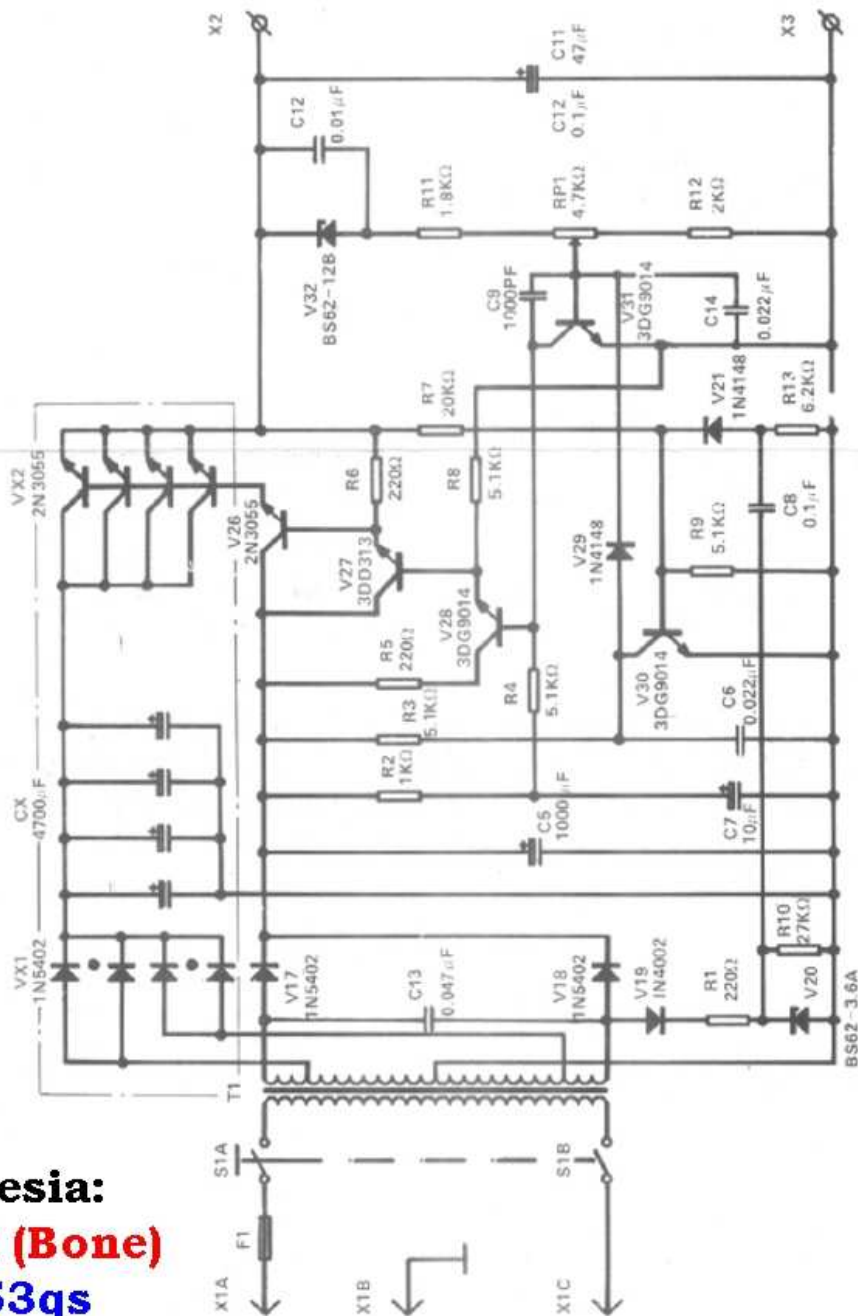
Input supply voltage
Output voltage

220V Vca 50 Hz
13.8 Vdc

K45	K75	K105	K205	K305
3A - 5A	6A - 8A	10A - 12A	20A - 22A	30A - 32A

SCHEMAELETTRICO • ELECTRICDIAGRAM

General Circuit Diagram (*)



(*)Note: This is the standard circuit for 20A output. For different model, the number of diodes, capacitors and transistors inside the frame line will be increased or decreased.

Cortesia:
PP5VX (Bone)
GG53qs



CTE INTERNATIONAL S. R. L.

Via R. Sevardi, 7-42010 Mancasale Reggio E. (Italy)-Tel. (0522) 516660-Telex 536156 CTEI-Fax (0522) 47448